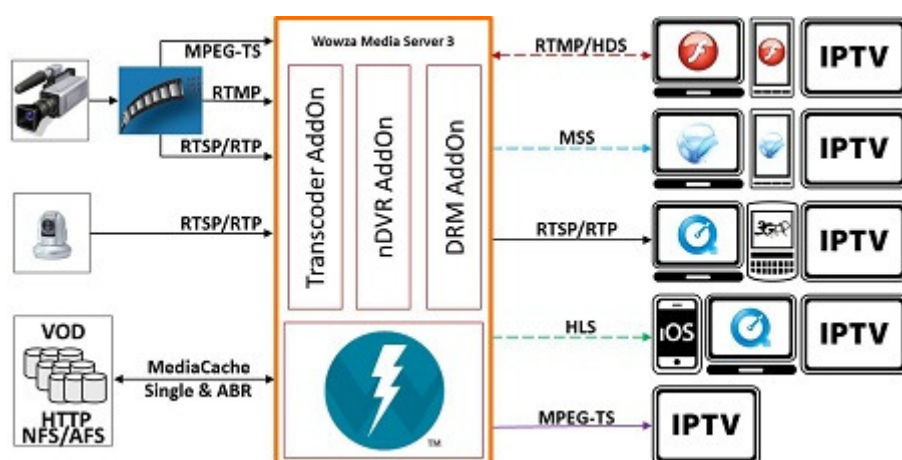


Wowza Media Server 3 is the next generation of Wowza's award-winning streaming server software providing a single extensible foundation and value-added components for "Any Screen Done Right" media delivery.

Wowza Media Server 3 delivers exceptional live and on-demand streaming performance and makes hard to implement features such as live adaptive bitrate (ABR) streaming and time-shifted live playback simple and cost-effective. With Wowza Media Server 3, organizations of any size can profit from these high-value features while offering their viewers the best possible experience — when and where they want it.

Wowza Media Server 3 simultaneously streams to the broadest range of screens and devices, including computers, iPhone®, iPad®, Android™ smartphones and tablets, smart TVs, set-top boxes, and more. A variety of [AddOn components](#) are available to help you better deliver, transform, protect, integrate and manage your live and on-demand media streaming, chat and recording.



Only Wowza Media Server 3 lets you simultaneously stream your H.264/AAC content to any screen. With Wowza Server 3 you don't have to use client-specific encoders and servers, or pre-process files for consumption by specific clients - it works with a wide range of conventional RTMP, RTSP/RTP or MPEG-TS H.264 encoders for live streaming, and for on-demand content, with standard [file container formats](#).

And with [Wowza Transcoder AddOn](#), your live content source doesn't have to be H.264. Your MPEG-2, MPEG-4 (and H.264) content will be transcoded on-the-fly to multiple bitrates for perfect adaptive bitrate H.264 streaming.

With Wowza Media Server 3 you can truly take the H.264 content everywhere.

Content owners, producers, and delivery network operators gain many benefits by deploying Wowza Media Server 3, including:

- Simultaneous streaming to Flash, iOS (iPhone, iPad and other HLS-compatible devices), Android smartphones and tablets, 3GPP mobile devices, Silverlight, IPTV set-tops and more...
- Get significant cost savings by eliminating unnecessary infrastructures and the burden of the multi-format file storage
- Improve viewer experience with adaptive bitrate streaming and [nDVR time-shifted viewing](#) for Flash DHS, HLS and Smooth streaming
- Boost infrastructure efficiency by selecting the most effective ingest and streaming methods according to your audience needs

Now you can truly expand your streaming horizons.

## Available AddOn Components

### 1. Wowza Transcoder AddOn

Wowza Transcoder AddOn takes advantage of the same hardware as the server to transform incoming live streams from encoders, IP cameras, IPTV headends, and other live sources into multiple stream sets 'done right' for H.264-everywhere adaptive bitrate delivery. Adaptive bitrate streaming is supported for Flash RTMP and HTTP Dynamic Streaming, Apple HLS, and Silverlight Smooth Streaming. Wowza Transcoder also delivers non-adaptive streams over any transport protocol supported by Wowza Media Server 3, including RTMP, RTSP/RTP, MPEG-TS, and HTTP.

**Decoding:**

**Video:** MPEG2, MPEG4 Part 2, H.264/AVC

**Audio:** MP3, AAC (LC & HE), MPEG1 Part 1/2, Speex, G.711

**Encoding:**

**Video:** H.264/AVC

**Audio:** AAC (LC & HE)

### 2. Wowza nDVR AddOn

Wowza nDVR AddOn (*Beta release*) is an innovative live stream cache that stores content in a normalized format accessible to Wowza Media Server 3 for any-screen HTTP playout. Compared to client-specific nDVR implementations, Wowza nDVR significantly reduces cost by minimizing network storage requirements and simplifying the delivery workflow for all screens. Wowza nDVR enables Wowza licensees to increase revenues and viewer engagement by delivering live linear streams as time-shifted services with features like live pause, rewind, and resume.

**Live Stream Caching and Playout:**

Single content cache for simultaneous playout to Flash HTTP Dynamic Streaming, Silverlight Smooth Streaming, and Apple HLS clients

**Live Stream Time Shifting:**

Pause, Rewind, Forward, Resume to Live

### 3. Wowza DRM AddOn

Wowza DRM AddOn provides simultaneous secure key exchange with multiple DRM platforms such as Verimatrix VCAS and Microsoft PlayReady. Individual live or on-demand content is encrypted on-the-fly for HLS and Silverlight delivery to viewers on a wide range of devices including set-top boxes (STBs), connected TVs, smartphones and tablets. Wowza DRM AddOn can help users up-sell content for OTT premium services, and cross-sell content for multi-device distribution.

**3rd Party DRM Platform Compatibility:**

Verimatrix VCAS™ for Apple HLS devices with ViewRight™ clients

Microsoft® PlayReady® for Silverlight Smooth Streaming clients

**Encryption Methodology:**

For live: per-stream with the ability to rotate keys

For VOD: per-asset or per-session with the ability to rotate keys

## Wowza Media Server 3 Specifications

### Multi-Protocol, Multi-Client Streaming

Adobe Flash RTMP (RTMPE, RTMPT, RTMPTE, RTMPS)	Flash player AIR
Adobe Flash HTTP Dynamic Streaming (HDS)	
Apple HTTP Live Streaming (HLS)	iPhone, iPod touch (iPhone OS 3.0 or later) iPad QuickTime player (10.0 or later) Safari (4.0 or later on Snow Leopard) Roku and other HLS compatible players
Microsoft Smooth Streaming	Silverlight 3 or later
RTSP/RTP	QuickTime player VideoLAN VLC player Mobile devices (3GPP) Other compliant players
MPEG2 Transport Protocol (MPEG-TS)	IPTV set-top boxes

### Compatible Live Encoding

RTMP	Video: H.264, VP6, Sorenson Spark, Screen Shared codec Audio: AAC, AAC-LC, HE-AAC, MP3, Speex, NellyMoser ASAO
RTSP/RTP	Video: H.264 Audio: AAC, AAC-LC, HE-AAC, MP3, Speex
MPEG-TS	Video: H.264 Audio: AAC, AAC-LC, HE-AAC, MP3
ICY (SHOUTcast/icecast)	Audio: AAC, AAC-LC, HE-AAC (aacPlus), MP3

### Supported File Formats

Video and audio	FLV (Flash Video - .flv) MP4 (QuickTime container - .mp4, .f4v, .mov, .m4v, .mp4a, .3gp, and .3g2) MP3 (.mp3)
-----------------	--

### Applicable Transport Protocol and Payload Specifications

RTSP	IETF RFC2326
RTP: H.264	IETF RFC3984, QuickTime Generic RTP Payload Format
RTP: ACC	IETF RFC3640 IETF RFC3016 ISO/IEC 14496-3
RTP: MP3	IETF RFC2250
RTP: Speex	IETF RFC5574
MPEG-TS	ISO/IEC 13818-1
MPEG-TS over RTP	IETF RFC2038

---

## System Requirements

Minimum recommended production hardware	CPU: Single Quad Core, 3.00 GHz or better RAM: 4GB Disk: 2 or more in RAID 0 (striping) Network: 1Gb Ethernet
Supported operating systems	Windows (XP, Vista, 7, Server 2003 & 2008) Linux (all distributions) Solaris Mac OS Unix
Java (required)	Java Runtime Environment (JRE) 6 or greater or Java Development Kit (JDK) 6 or greater

## ORDERING INFORMATION

### Wowza Media Server 3 Perpetual Edition Single Server License

#### Available Options:

1. Single Transcoder License
2. Single nDVR License
3. Single DRM License