

VS-102 - H.264 HD/SD Encoder/Decoder with SD/HD-SDI, HDMI, Composite, IP inputs/outputs

The VS-102 is a High Definition Video Encoder/Decoder that allows real-time transmission of an SD/HD-SDI, HDMI, or NTSC/PAL composite video signal along with bi-directional AAC encoded high definition stereo audio over standard IP networks and the internet.

The VS-102 incorporates advanced H.264 and MJPEG compression technology. This allows 50% more compression capacity over an existing IP Network, while providing optimal video transmission quality even in networks with limited bandwidth.

The VS-102 may be configured to operate as a Point-to-Point monitoring system. For example, the unit can operate as an encoder to compress and transmit A/V data over a LAN to another VS-102 located in other location. The other unit can act as a decoder which receives the compressed data through the LAN and restores the data to its' original high definition state. Additionally, other computers or VS-102 decoders connected to the same network can monitor both the audio and video in multiple locations at the same time. When properly configured, the VS-102 may be simultaneously monitored through the internet.

Available Models:

VS-102-HDSDI - Encoder/Decoder with SD/HD-SDI, HDMI, Composite and IP inputs/outputs

VS-102-HDMI - Encoder/Decoder with HDMI, Composite and IP inputs/outputs

KEY FEATURES

- High Quality AV Encoder / Decoder (Selectable)
- Full HD resolution 1080p Encoding / Decoding
- Up to 30fps @ 1920 x 1080 streaming
- H.264/H.264 & H.264/MJPEG Dual Streaming
- Two-Way Audio Communication
- Mono Codec G.711 for Security applications
- Stereo Codec AAC for Broadcast applications
- HD-SDI Video Input / Output (VS-102-HDSDI only)
- HDMI Video Input / Output
- Composite Video Input / Output
- Audio Input / Output
- Instant Recording to an optional USB drive (USB 2.0)
- Supports DDNS (Dynamic Domain Name Server)
- Built-in PoE (Power Over Ethernet :802af)
- RS-232 control built-in
- RS-422/485 control built-in
- 2 Sensor inputs
- 2 Alarm outputs
- Watchdog for system recovery
- Integrated Video Motion Detection
- Transmission of Video Data through FTP server
- Wide Range of Video Bit Rate Control (32kbps ~ 8Mbps)
- PSIA and ONVIF compliant

H.264 HD/SD Encoder/ Decoder

Models: VS-102-HDSDI

VS-102-HDMI

SPECIFICATIONS		
System	System Mode	Encoder, Decoder
Network	Network Interface	Ethernet 10/100Base-T (RJ-45)
	Network Protocol	TCP/IP, UDP, Multicast, DHCP, SMTP, HTTP, SNMP, RTP, RTSP
Video	Standards	Main Stream: H.264 Secondary Stream: H.264/MJPEG
	Data Rate	32Kbps ~ 8Mbps
	Resolution	1920x1080/60i ~ 352x240/30fps, 18 resolution step
	Frame Rate Range	1 ~ 30fps
	Input 1	1 x HDMI type A, HDMI RX
	Input 2	1 x BNC: Composite or SD/HD-SDI
	Output 1	1 x HDMI type A, HDMI TX
	Output 2	1 x BNC: Composite or SD/HD-SDI
	Motion Detection	Sensitivity Adjustment
Audio	Standards	G.711, AAC
	Sample Rate	G.711: 8KHz, AAC: 32KHz
	Input	1 x Line-In (3.5mm Mini-Stereo)
	Output	1 x Line-Out (3.5mm Mini-Stereo)
Serial	Port 1	1 x RS-232 (Terminal Block)
	Port 2	1 x RS-422/485 (Terminal Block)
	Data Rate	2,400bps ~ 115,200bps
Sensor/ Alarm/ etc.	Sensor Input	2 x NO Contact (Terminal Block)
	Alarm Output	2 x NO Contact (Terminal Block)
	Beep	1 x Buzzer 88dB Min
	Reset Button	1 x Factory Reset Button
User Interface	System Status	4 x LED
Storage	Recording/Backup	1 x USB 2.0 Port
Software	True CMS/NVR	Live Monitoring, Recording, Search & Playback, Backup
Physical	Dimensions	134(W) X 125(D) X 35(H)mm
	Weight	504g
	Power Source	DC 12V/0.8A, PoE(Power over Ethernet): 802.3af
	Power Consumption	Max 9.6W
	Operating Temp.	-10° C ~ 50° C / 14°F ~ 122°F

ORDERING INFORMATION:

VS-102-HDSDI - Encoder/Decoder with SD/HD-SDI, HDMI, Composite and IP inputs/outputs

VS-102-HDMI - Encoder/Decoder with HDMI, Composite and IP inputs/outputs

Contact info: sales@advanceddigital.ca WEB: <http://www.advanceddigital.ca> Tel: +1 416 479 0480
+1 416 848 0715

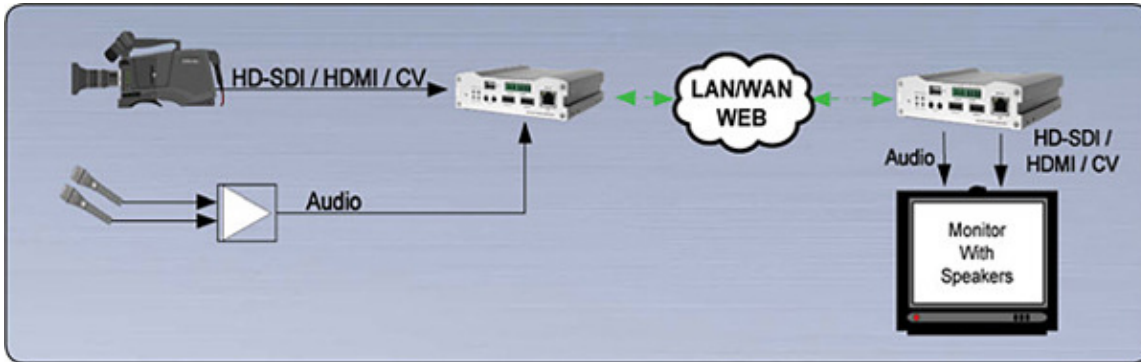


H.264 HD/SD Encoder/ Decoder

Models: VS-102-HDSDI

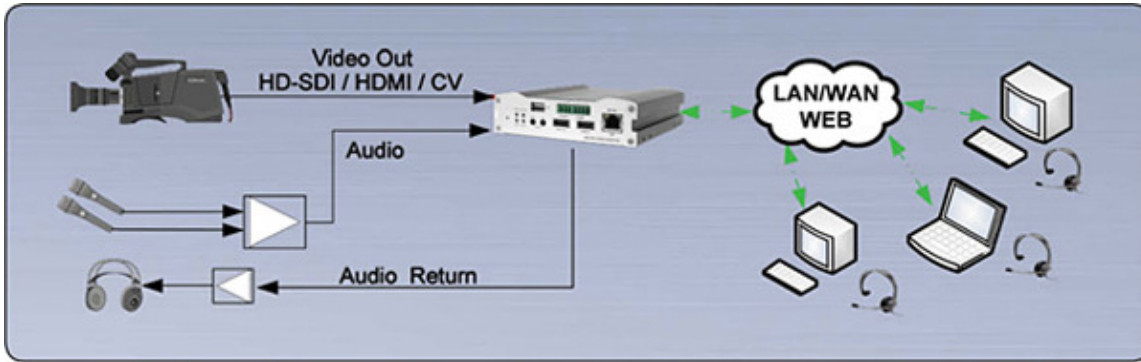
VS-102-HDMI

Application 1



Single camera with stereo audio point-to-point Encoder (source) to Decoder (monitoring) over LAN/WAN or WEB.

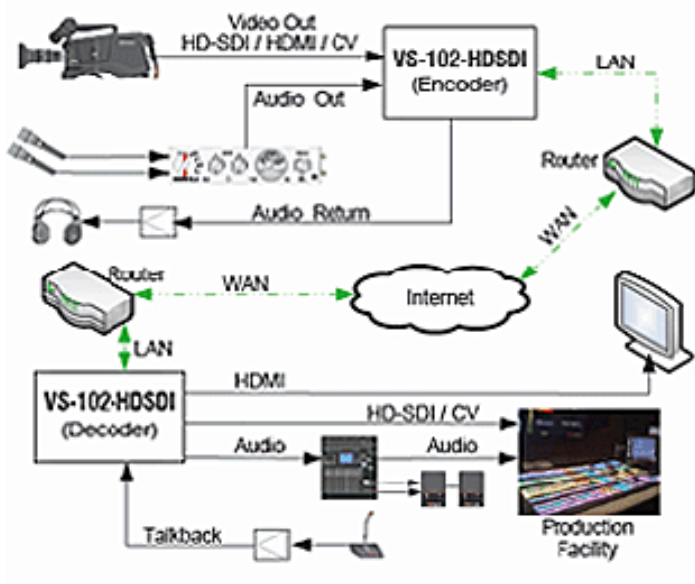
Application 2



Single camera with stereo audio from Encoder to multiple computers or monitors with audio talkback over LAN/WAN or WEB.

Application 3

Point-to-Point



Application 4

Multicast

