

# TLV400S

## MPEG-2/4 H.264 Digital TV Receiver



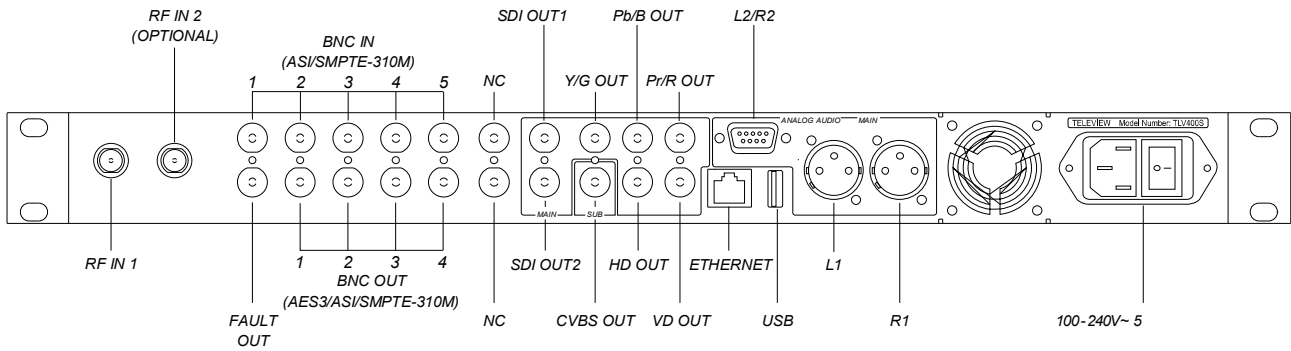
### Overview

The TLV400S Professional HDTV new generation frequency agile receiver demodulates all satellite DVB/ATSC H.264/MPEG-2 HDTV frequencies and supplies crystal clear digital or analog video from all formats used by Broadcast Professionals in Europe, USA, Canada, Mexico, Brazil and Korea. It not only functions as a dual input broadcast demodulator but also works well as a Professional H.264/MPEG-2 decoder. The output of the demodulator is available on either DVB ASI or SMPTE 310M connectors. With its DVB ASI inputs it is able to decode Transport Streams up to 40Mbps. Designed to support all the industry standard forms of the DVB/ATSC standard it supports 576i/480i, 576p/480p, 720p and 1080i decoding. Supported video outputs include both Digital and Analog formats with HDSDI with embedded audio, SDI, Y Pr Pb, RGB, and composite. Audio support is via embedded audio or via L/R 5 channel XLR connectors.

### Features

- Signal from 75ohm BNC-connector
- May choose digital stream from satellite and DVB-ASI and SMPTE-310M signal
- Selected digital stream is supplied in DVB-ASI and SMPTE-310M format signal
- Dual MPEG-2(HD/SD) decoding, single MPEG-4/H.264 decoding
- H.264(MPEG-4)/MPEG-2 MP@HL compliant video decoder supplies digital and analog video signal
- Digital video signal compliant with SMPTE-259M/SMPTE-292M(SDI) with embedded 8 channel audio (SMPTE-299M)
- Dolby digital AC-3 and MPEG-1/2 5.1channel audio decoder
- Dolby digital (AC-3) or PCM stereo audio selectable over BNC connector
- Dolby prologic compatible stereo audio output on one XLR connector and one D-sub 9P connector
- RGB video signal with 1080i/720p/576p/576i(480i) video mode
- 2Lines by 40 characters LCD display
- PSIP/EIA-608, 708 closed caption compliant
- 1U rack mountable frame
- Firmware upgradable via internet or USB
- USB 2.0 support
- SNMP (10/100 Ethernet) management support
- TS transmission/reception over IP(UDP/RTP)
- FEC support(PRO-MPEG parity)

## Board View



## Specifications

<p><b>Front Display / Keys</b> 2 Lines by 40 characters LCD 18 keys for easy control LOCK, ENTER, EXIT, ARROW and numeric keys</p> <p><b>DVB-S2/S RF Input</b> Channel: 950-2150MHz RF selectable Connector: 2x75ohm BNC-type connector (DVB-T/T2 option available) Symbol rate : DVB-S2 (8PSK/QPSK): 10 ~ 30Mps DVB-S (QPSK) : 2 ~ 45Mps</p> <p><b>TS Input</b> Format : SMPTE-310M or DVB-ASI Connector: 75ohm BNC (User can choose ASI or 310M input at front panel)</p> <p><b>TS Output</b> Format : SMPTE-310M – DVB-ASI Connector: 75ohm BNC</p>	<p><b>AES3-id Digital Audio Output</b> Signal: AES3-id Connector: 75ohm BNC Format: Dolby AC-3 / MPEG 1,2 / PCM  (User can choose ASI or 310M or AES3-id output at front panel)</p> <p><b>Component Video Output</b> 1080i / 720p / 576p 480p / 576i 480i Connector: BNC connector YpbPr/RGB selectable</p> <p><b>Composite Video Output</b> Signal: NTSC/PAL Connector: 75ohm BNC</p> <p><b>First Audio Output</b> Connector: XLR connector</p> <p><b>2<sup>nd</sup> Audio Output</b> Connector: D-sub 9P connector</p> <p><b>Digital Video Output (SDI)</b> SMPTE299M/SMPTE292M with embedded audio</p>	<p><b>Ethernet</b> 10/100B-T on RJ45 TS TX/RX, SNMP</p> <p><b>USB 2</b> Connector: type "A" Ethernet adapter available</p> <p><b>FAULT</b> Relay contact on signal loss</p> <p><b>Network Management</b> NMS supported thru SNMP</p> <p><b>CPU and RAM</b> MIPS 300MHz 32bit RISC</p> <p><b>Physical/Environmental</b> 1U 19 inch rack mountable Operating temperature: +0~+45°C Storage temperature: -20~50°C Humidity, operating: 20 to 80%</p> <p><b>Power Supply</b> AC 100-240V~ 50-60Hz 50W max</p> <p><b>Dimension</b> HxWxL:1.7x19x13.6 inch</p> <p><b>Weight</b> 6 lb</p>
--	---	--