

- Up to 6 ASI-to-IP or IP-to-ASI converters, user selectable
- 6 bi-directional ASI ports, 2 GigE ports
- Up to 16 IP inputs, up to 16 IP outputs
- Up to 6 ASI inputs/outputs
- ASI and IP redundant switching
- ASI and IP streams replication



Made in the USA

Business Benefits

Cost Effective

The NOVUS-GW enables operators to take advantage of the associated cost savings of deploying IP networks while increasing flexibility and reliability.

Reliable Transmission

Reliable broadcast quality transmission of content over IP networks is achieved through the implementation of direct processing technologies and advanced redundancy features.

This delivers precise packet timing and buffer management, reducing IP jitter and delay.

High Density

Each unit can support up to 6 ASI ports, individually configurable as inputs or outputs, and up to 2 Gigabit Ethernet ports. Units can be standalone, or combined in a 1RU rack mount tray (3 units per tray).

Control & Monitoring

The DashBoard™ Network Control and Monitoring software is used for remote control, monitoring and software updates

The NOVUS-GW IP-ASI Gateway is a high performance real-time MPEG video processing solution that supports bi-directional Transport Stream encapsulation to and from IP as standard.

The NOVUS-GW has been designed to meet the demanding requirements of post-production, Contribution and Distribution applications enabling multiple MPEG transport streams to be transported through Gigabit Ethernet connections over an IP network.

The NOVUS-GW is fully bi-directional in both the ASI and IP domain and can be software licensed to enable enhanced Transport Stream processing functions. State of the art processing combined with the unique Mediastorm processing core enables new system architectures to be created allowing content to be freely distributed over IP networks.

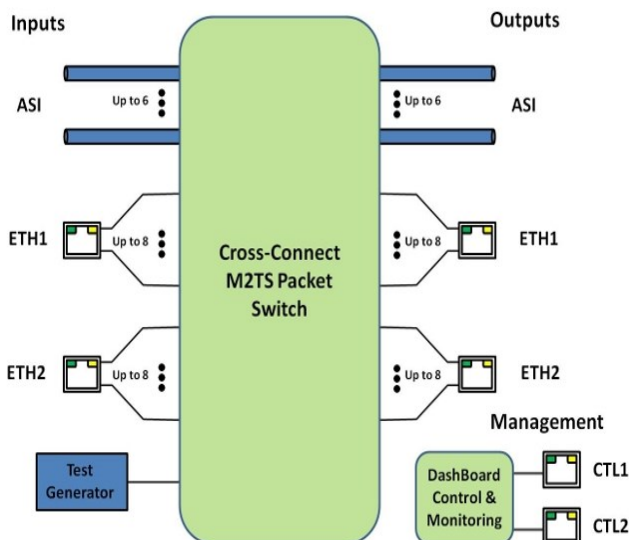
Application

- Contribution and Distribution: interfacing traditional MPEG equipment with IP networks for transport.
- Video Distribution over IP backbones.
- IP to ASI adaptation for devices such as receivers, IRDs, etc.
- IP and ASI protection switching.

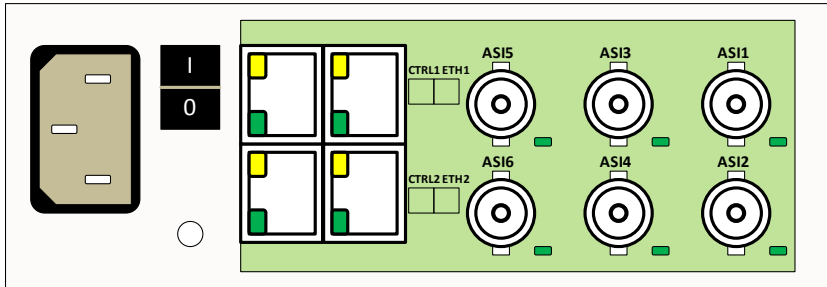
Key Features

The NOVUS-GW is able to output a single transport stream over any ASI or IP output port. The flexible design allows up to 6 transports streams to be processed on one unit.

- ASI to IP encapsulation or IP to ASI de-encapsulation
- Up to 6 ASI ports. Each port can be individually configured by a customer as input or output. Each port supports the full ASI line rate of 213 Mb/s.
- Up to 2 100/1000 Mb/s Ethernet ports, capable of transmitting and receiving at line rate.
- Up to 8 simultaneous transmit and receive streams per Ethernet port.
- UDP/RTP support for Ethernet transmission/reception
- IP transmission using unicast or multicast
- Advanced redundancy features.
- Very low latency (under 4 milliseconds for ASI content).
- Advanced IP de-jitter features.
- Internal stream replication – any input to the NOVUS-GW can be internally connected to up to 8 outputs.
- Independent redundant control ports. Management and control via DashBoard Network Control and Monitoring Software.
- Multicast IGMP v1,v2 and v3 support



Rear panel configuration:



Rack mount 1RU Tray:



**Holds up to 3 NOVUS-GW units
(up to 18 ASI/IP converters)**

SPECIFICATIONS

TRANSPORT STREAM INTERFACE	6 bidirectional DVB ASI Interfaces (75 ohm BNC)
NETWORK I/O INTERFACE	2x 100/1000Base-T RJ-45 ports IPv4, UDP & RTP 900Mbit/s usable GbE per Rx port 900Mbit/s usable GbE per Tx port 600Mbit/s maximum processing per card 213Mbit/s maximum ASI TS bit rate per port Ethernet MTU Length <1500 (IPv4)
FEATURES	ASI and IP circuit protection Advanced Redundancy Features Advanced buffer management Low latency and Jitter controls All features software upgradable
MANAGEMENT AND CONTROL	2 x 10/100/1000Base-T Ethernet (RJ-45) Configuration import/export Visual fault warning In-band and out-of-band control SNMP v1,v2 Startup to streaming in under 20 sec

PHYSICAL & POWER

Dimensions:	(W x D x H) 163 x 400 x 44mm Desktop or 1RU tray available (3 units/tray)
Power:	12 Watts
Power Supply:	Input 100-250 VAC 47-63Hz Self cooled 15W max

ENVIRONMENTAL CONDITIONS

Operating Temperature:	0°C to 40°C (32°F to 104°F)
Operating Humidity:	5% to 95% (non-condensing)

COMPLIANCE

CE:	CE marked in accordance with 93/68/EEC (22/07/03) Directive
UL:	UL approval
US FCC:	Part 15
EMC:	EN55022, EN55024, EN6100-3-2

ORDERING INFORMATION

NOVUS-GW-X - IP-ASI Gateway with (X) ASI ports activated.
Please specify X in the range from 1 to 6.