



8x IP and 6x Tuner Input Version

8x IP and 6x ASI Input Version

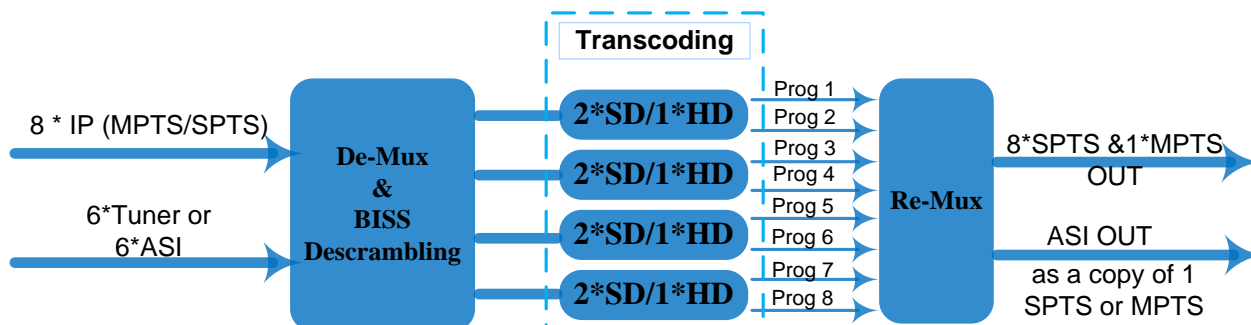
The ADV-8800 is a popular bidirectional 8-channel transcoder designed to convert video/audio between H.264 and MPEG-2 formats, as well as perform resolution resizing and bitrate reduction. The device can be configured to receive multiple IP, DVB-ASI, and DVB Tuner inputs, allowing a wide range of digital program input possibilities. The new transcoded streams can be configured to be MPTS or SPTS and then sent to the IP or DVB-ASI output ports.

The ADV-8800 allows broadcast operators to provide high quality transcoding at an affordable cost.

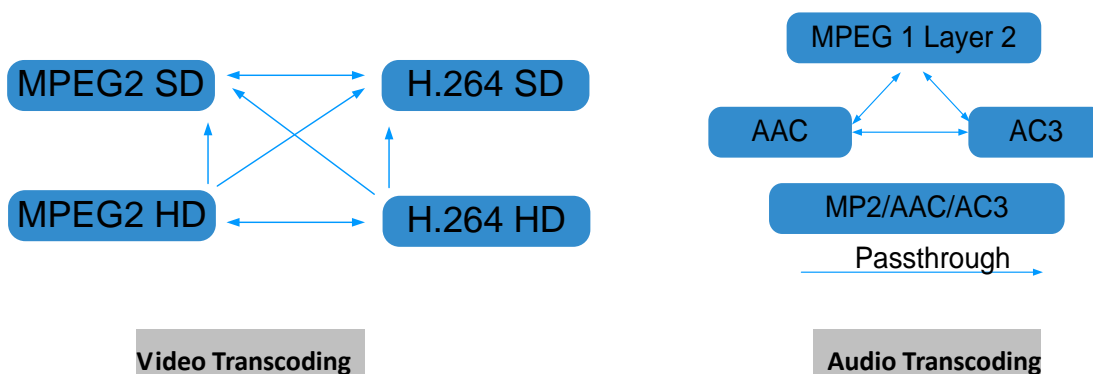
Key Features

- Supports 8x IP (SPTS/MPTS) inputs plus 6x tuners (or 6x ASI) inputs
- Tuners selection: DVB-S/S2, DVB-T, DVB-C, ISDB-T, ATSC
- Supports 8x SPTS & 1x MPTS (UDP/RTP/RTSP) outputs; 1 ASI (MPTS) output
- Video transcoding: MPEG-2 SD/HD and H.264 SD/HD (in either direction)
- Audio transcoding: AAC, MP2 and AC3 (or pass-through)
- Up to 8x SD or up to 4x HD program transcoding
- Up to 8x channel audio transcoding
- CBR and VBR
- CC (closed caption) supported
- BISS descrambling
- IP output with null packet filtering
- Re-multiplexing functionality
- Front panel and Web GUI management

Block diagram



Transcoding Modes



Ordering Info

- ADV-8800 - H.264 and MPEG-2 Multichannel transcoder with 8x IP and 6x ASI inputs
- ADV-8800S - H.264 and MPEG-2 Multichannel transcoder with 8x IP and 6 DVB-S/S2 tuners inputs
- ADV-8800C - H.264 and MPEG-2 Multichannel transcoder with 8x IP and 6x DVB-C tuners inputs
- ADV-8800T - H.264 and MPEG-2 Multichannel transcoder with 8x IP and 6x DVB-T tuners inputs
- ADV-8800I - H.264 and MPEG-2 Multichannel transcoder with 8x IP and 6x ISDB-T tuners inputs
- ADV-8800A - H.264 and MPEG-2 Multichannel transcoder with 8x IP and 6x ATSC tuners inputs

Technical Specifications

Stream In	8x MPTS/SPTS over UDP/RTP, 1000M Base-T Ethernet Interface/ SFP interface	
	6x (DVB-S/S2/C/T/ISDB-T/ATSC) Tuners or 6x ASI inputs	
BISS Descrambling	Up to 8 programs	
Video	Resolutions	1920x1080P,1920x1080i,1280x720P, 720x576i, 720x480i 480x576, 544x576, 640x576, 704x576
	Transcoding	4x MPEG2 HD → 4x MPEG2/H.264 HD ; 4x MPEG2 HD → 4x MPEG2/H.264 SD ; 8x MPEG2 SD → 8x MPEG2/H.264 SD
		4x H.264 HD → 4x MPEG2/H.264 HD ; 4x H.264 HD → 4x MPEG2/H.264 SD ; 8x H.264 SD → 8x MPEG2/H.264 SD
	Rate Control	CBR/VBR
Audio	Transcoding	MPEG-1 Layer 2, AAC and AC3 any-to-any or pass through
	Sampling rate	48KHz
	Bit Rate	64Kbps-384Kbps
Stream Out	8xSPTS & 1xMPTS over UDP/RTP/RTSP, 1000M Base-T (UDP/RTP unicast / multicast) /SFP interface	
	1x ASI (as a copy of one of the 8 SPTS or the MPTS) output, BNC interface	
Control	Front panel and web management	
General	Dimensions	430mm×405mm×45mm(WxDxH)
	Approx weight	4.8 Kg
	Temperature range	0~45°C(Operation), -20~80°C(Storage)
	Power requirements	AC 110V±10%, 50/60Hz or AC 220V±10%,50/60Hz
	Power consumption	20W