



The ADV-8716 is a high-density Receiver / IPTV Gateway equipped with 16 independent RF tuners, these can either one of DVB-S/S2, DVB-C/T/T2, ISDB-T and ATSC. It is also equipped with 2 ASI input ports.

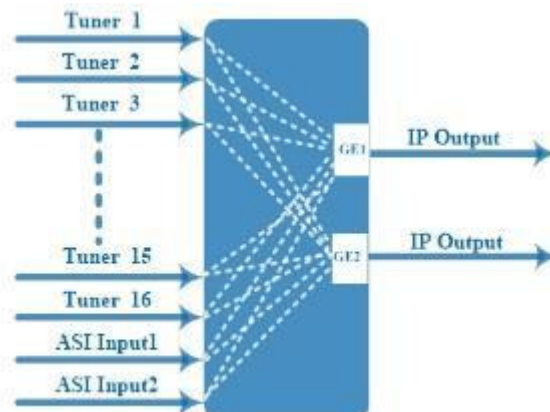
The device contains a built-in remultiplexer and can output up to 16 MPTS or up to 512 SPTS over UDP and RTP/RTSP protocols.

ADV-8716 supports BISS descrambling.

The built-in web server allows for the configuration of the ADV-8716 with a standard web browser.

Key Features

- 16 RF tuners, choice of DVB- S/S2, DVB-C/T/T2, ISDB-T, ATSC
- 2 ASI inputs
- BISS descrambling
- DisEqc support
- User selectable modes of operation: 16 MPTS or 512 SPTS
- 2 GE mirrored output ports, up to 850Mbps per port – for SPTS mode
- 2 independent GE output port, GE1 + GE2 – for MPTS mode
- PID filtering, re-mapping (only for SPTS output)
- Supports “Null PKT Filter” function (for MPTS output)
- Web management



Specifications

Input	16 RF tuners (choice of DVB-C/T/T2, DVB-S/S2, ISDB-T, ATSC) 2 ASI inputs		
Tuner Section	DVB-C	Standard	J.83A(DVB-C), J.83B, J.83C
		Frequency In	30 MHz~1000 MHz
		Constellation	16/32/64/128/256 QAM
	DVB-T/T2	Frequency In	30MHz ~999.999 MHz
		Bandwidth	6/7/8 M bandwidth
	DVB-S/S2	Input Frequency	950-2150MHz
		Symbol rate	DVB-S: QPSK 2~45Mbauds; DVB-S2:QPSK1~45Mbauds, 8PSK 2~30Mbauds
		Code rate	1/2, 3/5, 2/3, 3/4, 4/5, 5/6, 8/9, 9/10
		Constellation	QPSK, 8PSK
	ISDB-T	Input Frequency	30-1000MHz
	ATSC	Input Frequency	54MHz~858MHz
Bandwidth		6M bandwidth	
Output	Up to 512 SPTS (up to 850 Mbps) IP output over UDP and RTP/RTSP protocol through GE1 and GE2 (mirrored) port, Unicast and Multicast 16 MPTS IP output over UDP and RTP/RTSP protocol through GE1 and GE2 port, Unicast and Multicast		
BISS Descrambling	Mode 1, Mode E (Up to 850Mbps)		
Miscellaneous	Dimension	482mm×410mm×44mm (W×L×H)	
	Weight	3.6kg	
	Environment	0~45°C(operation); -20~80°C (Storage)	
	Power requirements	100~240VAC, 50/60Hz	
	Power consumption	20W	

Ordering Info;

- ADV-8716A - Professional Receiver / IPTV Gateway with 16 ATSC tuners
- ADV-8716S - Professional Receiver / IPTV Gateway with 16 DVB-S/S2 tuners
- ADV-8716T - Professional Receiver / IPTV Gateway with 16 DVB-C/T/T2 tuners
- ADV-8716I - Professional Receiver / IPTV Gateway with 16 ISDB-T tuners