



ADV-8708 is a professional video/audio decoder with powerful functionality.

It supports digital TS input via both IP and ASI inputs.

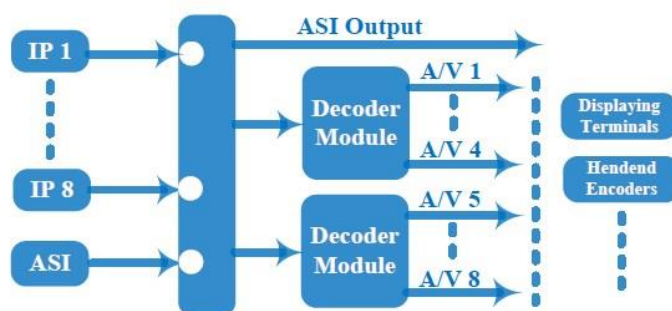
It can receive up to 8 IP streams (MPTS/SPTS, unicast/multicast) and one ASI stream (MPTS/SPTS)

After decoding it outputs up to 8 channels of analog A/V signals: 8x CVBS and 8 unbalanced audio stereo pairs (or 16 mono).

It also has ASI output for transferring incoming TS to other equipment.

Key Features

- **MPEG-2/H.264/AVS+ Decoding format**
- **8*IP inputs (MPTS/SPTS, unicast/multicast) and 1*ASI input (MPTS/SPTS)**
- **8*CVBS video and 8* unbalanced stereo (16 mono) audio outputs**
- **Real-time bit rate monitoring**
- **High reliability, stable performance**
- **Front Panel LCD local and Web GUI remote control**



Specifications

Input	8xIP (MPTS/SPTS) (100Mbps Ethernet) (RJ45)	
	IP Protocol	UDP and RTP (Unicast/multicast)
	1* ASI (BNC)	MPTS/SPTS
Decode	Video Format	MPEG-2/H.264/AVS+
	Interface	8X CVBS (RCA)
	Video Resolution	576i@25fps, 480i@29.97fps
	Audio Format	MPEG-1 Layer 2, AC3 (2.0)
	Interface	8*Unbalanced stereo (RCA)
General	Control	Front panel LCD local; Web GUI remote
	Dimensions (LxWxH)	44 mm×482 mm×410mm
	Environment	0~45°C (Operation); -20~80°C (Storage)
	Power Supply	110/220VAC±10%, 50/60Hz
	Power Consumption	<25W

Ordering Info

ADV-8708 - 8-channel Video/Audio decoder

ADV-8708-4 - 4-channel Video/Audio decoder