



ADV-8700 is a professional IRD / IPTV Gateway with powerful functionality.

It is equipped with 2 tuners, with choice of DVB-C, DVB-T/T2, DVB-S/S2/S2X, ATSC to receive signal from satellite, cable or terrestrial devices.

It also supports digital TS input via both IP and ASI inputs.

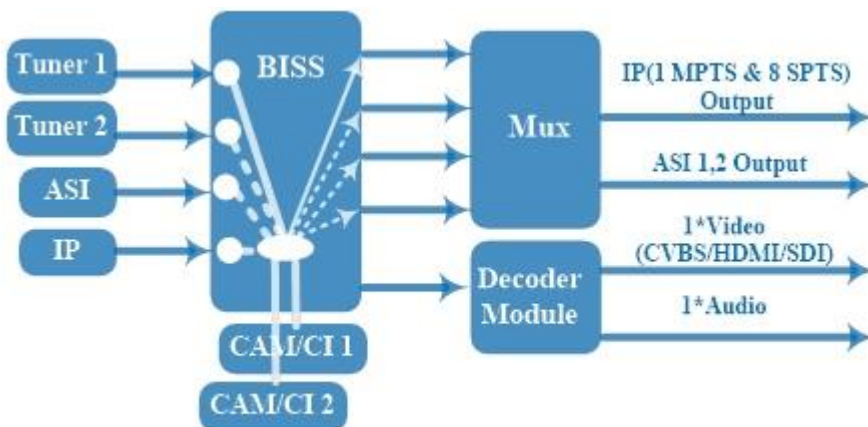
The ADV-8700's re-multiplexing capabilities enable creation of new transport streams by combining existing sources. Customized services may be output as 8 SPTS and one MPTS over IP, as well as over 2 ASI output ports. Through the dual DVB common interfaces, ADV-8700 has the capability to decrypt multiple services present in transport streams.

BISS decryption is also supported.

ADV-8700 is also a professional IRD that features a broadcast quality decoder for MPEG-2, MPEG-4 AVC/H.264 and H.265/HEVC in both Standard Definition and High Definition formats, and provides a variety of industry standard digital and analog outputs, including SDI, HDMI, CVBS video, and analog stereo audio and SPDIF digital audio.

ADV-8700 supports MPEG2, MPEG4 AVC/H.264 and HEVC/ H.265 video decoding, with up to 1080p resolution.

It supports MPEG 1 Layer II, LC-AAC, HE-AAC, HE-AAC, Dolby Digital/Dolby Digital Plus audio decoding



## Key Features

- **Demodulator + descrambler + re-mux + decoder in one box**
- **Choice of two DVB-C, DVB-T/T2, DVB-/S/S2/S2X, ATSC tuners**
- **1 ASI & 1 IP (UDP) input for re-mux and decoding**
- **Two CAMs, each can decrypt multiple programs from Tuner/ASI/IP**
- **BISS descrambling**
- **MPEG2, MPEG4 AVC/H.264, HEVC/H.265 video decoding**
- **HD/SD decoding: 480i, 480p, 576i, 576p, 720p, 1080i, 1080p**
- **HD/SD-SDI, HDMI, CVBS video outputs**
- **Audio Decoding: MPEG 1 Layer II, LC-AAC, HE-AAC, HE-AAC V2, Dolby Digital/ Dolby Digital Plus**
- **Audio output: one stereo audio pair, HDMI embedded, SDI embedded, SPDIF**
- **IP (1 MPTS & 8 SPTS) over UDP and RTP/RTSP output (unicast/multicast)**
- **Two ASI mirrored outputs**
- **CC, Subtitle EIA608, EIA708 (only for SDI)**
- **Maximum 128 PID mapping per input**
- **LCD display, front panel and remote control, web NMS management**
- **Video confidence monitoring**

## Specifications

<b>Input</b>	2 Tuners, F type		
	1 ASI input, BNC interface		
	1 IP input (UDP)		
<b>RF input</b>	<b>DVB-C</b>	Standard	J.83A(DVB-C), J.83B, J.83C
		Input Frequency	30 MHz~1000 MHz
		Constellation	16/32/64/128/256 QAM
	<b>DVB-T/T2</b>	Input Frequency	30MHz ~1000 MHz
		Bandwidth	6/7/8 M bandwidth
	<b>DVB-S</b>	Input Frequency	950-2150MHz
		Symbol rate	0.5-45Msps
		Signal Strength	-65 ~ -25dBm

		FEC	1/2, 2/3, 3/4, 5/6, 7/8	
		Constellation	QPSK	
		Max input bitrate	≤160 Mbps	
	<b>DVB-S2</b>		Input Frequency	950-2150MHz
			FEC	1/2, 3/5, 2/3, 3/4, 4/5, 5/6, 8/9, 9/10
			Constellation	QPSK: 1/2, 3/5, 2/3, 3/4, 4/5, 5/6, 8/9, 9/10 8PSK: 3/5, 2/3, 3/4, 5/6, 8/9, 9/10 16APSK: 2/3, 3/4, 4/5, 5/6, 8/9, 9/10 32APSK: 3/4, 4/5, 5/6, 8/9, 9/10
			Symbol rate	QPSK/8PSK/16APSK: 0.5~45 Msps; 32APSK: 0.5-40 Msps
			Max input bitrate	≤160 Mbps
			<b>DVB-S2X</b>	
	FEC	<b>QPSK:</b> 1/2, 3/5, 2/3, 3/4, 4/5, 5/6, 8/9, 9/10, 13/45, 9/20, 11/20 <b>8PSK:</b> 3/5, 2/3, 3/4, 5/6, 8/9, 9/10 <b>8APSK:</b> 5/9-L, 26/45-L <b>16APSK:</b> 2/3, 3/4, 4/5, 5/6, 8/9, 9/10, 1/2-L, 8/15-L, 5/9-L, 26/45, 3/5, 3/5-L, 28/45, 23/36, 2/3-L, 25/36, 13/18, 7/9, 77/90 <b>32APSK:</b> 3/4, 4/5, 5/6, 8/9, 9/10, 2/3-L, 32/45, 11/15, 7/9		
	Constellation	QPSK, 8PSK, 8APSK, 16APSK, 32APSK		
	Symbol rate	QPSK/8PSK /16APSK :0.5~45 Msps 8APSK/32APSK: 0.5~40Msps		
Max input bitrate	≤160 Mbps			
<b>ATSC</b>		Input Frequency		
		Bandwidth	6M bandwidth	
<b>Descrambling</b>	CAM/CI Quantity	2		
	BISS Mode	Mode 0, Mode 1, Mode E; up to 120Mbps		
<b>Output</b>	IP output	1*MPTS & 8*SPTS over UDP, RTP/RTSP, unicast/multicast 100 Base-T Ethernet interface		
	2 ASI	BNC interface, mirrored out		

	Decode Output	<p>Video Interface: HD/SD-SDI/HDMI/CVBS          Video Decoding: MPEG-2; MPEG4 AVC/H.264; HEVC/ H.265          Resolution:1920×1080_60P, 1920×1080_59.94P, 1920×1080_50P;          1280×720_60P, 1280×720_59.94P, 1280×720_50P; 480i, 480p, 576i,          576p          Chroma: 4:2:0, 4:2:2          Audio Interface: 1 Stereo/2 mono: HDMI, SDI, SPDIF, BNC, XLR          Audio Decoding: MPEG 1 Layer II, LC-AAC, HE-AAC,          HE-AAC V2, Dolby Digital/ Dolby Digital Plus          Audio Output Mode: Left, Right, Stereo</p>
<b>System</b>	Local interface	LCD + control buttons
	Remote management	Web-server Management
	Upgrade	USB, web management
<b>General</b>	Power supply	AC 100V~240V
	Dimensions	482*300*44.5mm
	Weight	3.5 kgs
	Operational temperature	0~45°C

## Ordering Info

**ADV-8700S – Professional IRD with 2 DVB-S/S2/S2X tuners**

**ADV-8700A – Professional IRD with 2 ATSC (8-VSB) tuners**

**ADV-8700T – Professional IRD with 2 DVB-T/T2 tuners**

**ADV-8700C – Professional IRD with 2 DVB-C tuners**

**ADV-8700D – Professional IPTV and ASI decoder**