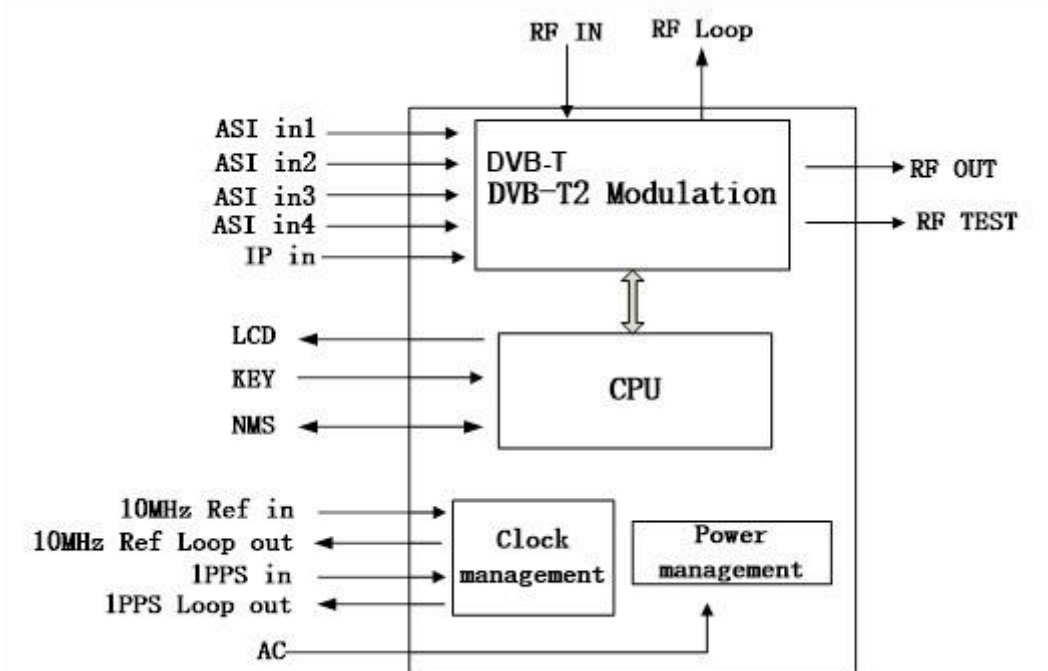




The ADV-8410 is a broadcast modulator designed for operations in full compliance with the DVB-T and DVB-T2 standards. It offers a cost effective, professional solution for generating high-quality RF signals suitable for broadcasting. The ADV-8410 includes linear and non-linear Digital Pre-Correction (DPC) that can optimize the efficiency of the transmission. It can operate in MFN environments, supports single-PLP, and can receive transmission signal through its ASI and IP ports. The ADV-8410 is controllable through the WEB based interface or the front panel.



Main Features:

- ✓ Complies with EN300 744 and EN302 755 standards
- ✓ 4 ASI input ports (3 ports for backup)
- ✓ TS over IP input (UDP)
- ✓ 10MHz input / loop out, 1PPS input / loop out
- ✓ DVB-T or DVB-T2 RF output, 30~999Mhz, 1Hz step
- ✓ Support for single PLP
- ✓ Support for MISO and SISO
- ✓ Supports QPSK/16QAM/64QAM/256QAM
- ✓ High performance output: MER>43dB, shoulder level>56dB
- ✓ Output signal bandwidth: 5M, 6M, 7M, 8MHz
- ✓ Supports MFN mode
- ✓ Supports non-linear and linear digital pre-correction (DPC)
- ✓ RF output level: -25~+3 dBm, with 0.1db step
- ✓ Constant temperature crystal oscillator with 0.1ppm stability

Detailed Specifications

Input	TS input over ASI and IP (UDP)	
	10MHz reference clock input and loop out, BNC interface	
	1PPS input and loop out, BNC interface	
Modulation	Standard	EN302 755, EN300 744
	Mode	Single-PLP
	PLP Constellation	QPSK, 16QAM, 64QAM, 256QAM (Normal or Rotated)
	L1 Post Constellations	BPSK, QPSK, 16QAM, 64QAM
	FEC Length	Short(16K), Normal (64K)
	FEC Rate	1/2, 3/5, 2/3, 3/4, 4/5, 5/6
	Pilot Pattern	PP1 - PP8
	Guard Interval	1/128, 1/32, 1/16, 19/256, 1/8, 19/128, 1/4
	FFT Mode	1k, 2k, 4k 8k, 16k, 32k (normal or extended)
	Bandwidth	5MHz, 6MHz, 7MHz, 8MHz
	Net Mode	MFN
RF Out	Connector	N Type, 50ΩImpedance
	RF range	30~999Mhz, 1Hz step
	Output level ATT	-25~+3 dBm, 0.1db step
	MER	> 43db
	Shoulder Level	>56dB
System	LCD display, keyboard and web Network management	
General	Dimensions (W*L*H)	482mm×410mm×44mm
	Weight	4.8kg
	Temperature	0~45 °C (operational),-20~80 °C (storage)
	Power supply	AC 110/220V, 50/60Hz
	Power Consumption	35W