



ADV-8300 ATSC modulator is a high quality professional broadcast modulator designed for operation in full compliance with ATSC A53 standard for 8-VSB (ATSC) for terrestrial HDTV/SDTV broadcasting. It offers a cost effective, professional solution for generating high-quality RF signals suitable for broadcasting.

The ADV-8300 can be used as a ATSC broadcast modulator, tester, or a head end of an RF distribution network.

It can accept input through its DVB-ASI/SMPTE-310M and IP input ports.

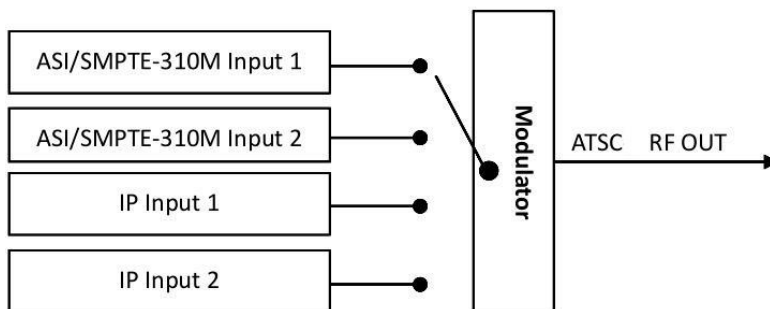
The ADV-8300 supports adaptive non-linear and linear digital pre-distortion that optimizes the efficiency of the transmission.

The ADV-8300 is very easy to control via front panel or WEB GUI, locally and remotely.

Key Features

- Full compliance with ATSC A/53 standard
- Constellation mapping: 8-VSB
- EN50083 ASI and SMPTE 310M interface standard
- Dual channel DVB-ASI/SMPTE-310M input, automatic switch-over and hot backup
- Dual IP input (GE) ports over UDP/RTP
- RF range: 50MHz~860MHz, 1Hz stepping
- Control and monitoring via front panel or WEB GUI, locally and remotely
- RS coding, data interleaving, Trellis coding
- Channel bandwidth: 6MHz
- Supports adaptive linear digital pre-distortion
- Supports adaptive non-linear digital pre-distortion
- Built-in constant-temperature crystal oscillator, the frequency stability can be up to 0.1 PPM
- Excellent RF output performance: EVM, MER, SNR, shoulder level and etc.
- NMS, Keyboard and LCD operation





Specifications

Input		Self-adapting 2 ASI/SMPTE 310M inputs, one for hot backup, BNC interfaces
		Dual IP input ports, one for hot backup, over UDP/RTP, unicast/multicast, GE ports
Modulation	Standard	ATSC A/53
	Constellation	8VSB
	FEC	RS(208 188)+Trellis
RF output	Port	N Type, 50Ω impedance
	RF range	50~860Mhz,1Hz stepping
	Output Level ATT	-20dbm~6dbm,0.1db stepping
	Shoulder Level	60dB
	MER	≥ 40db
Non-linear DPD		over 10db ACPR improvement (normally)
linear DPD		over 10db non-flatness adjustment(normally)
System		LCD display & keyboard operation, NMS
		Software upgrade through network
General	Dimensions (WxLxH)	482mm×455mm×44.5mm
	Weight	6.0kg
	Temperature	0~45°C (operation), -20~80°C (storage)
	Power Supply	AC 110V±10%,50/60Hz or AC 220V±10%, 50/60Hz
	Consumption	25W