



The ADV-8100 MPEG-2/H.264 HD/SD Encoder is high quality professional broadcasting audio & video encoder with powerful functionality. It is equipped with multiple video input interfaces (SDI, CVBS, YPbPr and HDMI) and audio input interfaces (SDI/HDMI embedded, AES, BNC and XLR) to be compatible with different signal sources.

Multiple audio and video encoding formats are available to meet customers' various requirements.

It supports 2 stereo or one DD AC3 audio encoding.

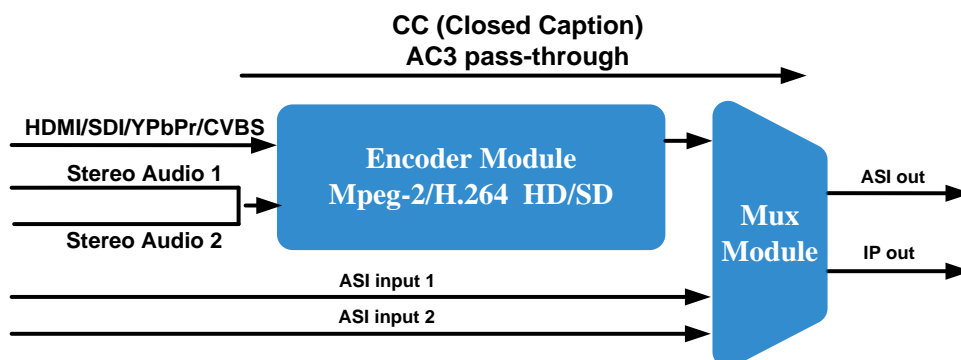
It supports DD AC3 pass-through (for SDI and HDMI input).

ADV-8100 has ASI and IP outputs.

It supports OSD insertion: QR code, LOGO, Caption.

Key Features

- MPEG-2 HD/SD and MPEG-4 AVC/H.264 HD/SD video encoding
- 1080p, 1080i, 720p, 480i, 576i video resolutions; supports downscaling.
- Low latency function
- MPEG1 Layer II, HE-AAC (v1&v2), LC-AAC audio encoding
- DD AC3 (2.0) audio encoding
- DD AC3 (2.0) audio pass-through (for SDI and HDMI in)
- 2 stereo audio encoding, Analog or SDI/HDMI embedded
- OSD insertion: QR code, LOGO, Caption
- Video buffer
- CC (closed captioning), EIA 608 and EIA 708 (for CVBS and SDI in)
- 2 ASI inputs for remux
- ASI output
- IP over UDP/RTP/RTSP, unicast/multicast) output
- Web and front panel LCD control





Specifications

	Interface	1xHD/SD×SDI, , 1×YPbPr, 1×HDMI and 1×CVBS (only for CC)		
Video	Resolution	Input	Output	Interface Applicable
		1920×1080p@60/59.94	1920×1080p@60	SDI, HDMI
		1920×1080p @50	1920×1080p@50	
		1920×1080i @60/59.94	1920×1080i @60	SDI, HDMI, YPbPr
		1920×1080i @50	1920×1080i @50	
		1280×720p@60/59.94	1280×720p@60	
		1280×720p@50	1280×720p@50	
		720×576i@50	720×576i @50	SDI, HDMI
720×480i@60	720×480i @60			
Encoding	MPEG-2 HD/SD; MPEG-4 AVC/H.264 HD/SD			
Bitrate Range	2.5 – 19.00 Mbps			
Rate Control	CBR/VBR			
GOP Structure	IP, IBBP, IBBBP			
Chroma	4:2:0			
Audio	Interface	2×XLR, 2×BNC, 2×AES, 1×HDMI, 1×SDI. Supports maximum 2 stereos synchronous processing		
	Encoding	MPEG-1 Layer II, HE-AAC (v1&v2), LC-AAC, DD AC3 (2.0); DD AC3 pass-through (for SDI and HDMI in)		
	Sampling rate	48KHz		
	Bit-rate	32Kbps~384Kbps		
Stream input		2 ASI inputs for remux, BNC interface		
Stream output		2×ASI output ports, BNC interface 2 IP over UDP/RTP/RTSP, 1000 Base-T Ethernet interface*2 with independent IP addresses (multicast/unicast)		
System functions		LCD/keyboard and web management Ethernet software upgrade		
General	Dimensions	482mm×405mm×44.5mm (W × D × H)		
	Weight	Approx 4.0Kg		
	Temperature	0~45°C (Operation), -20~80°C (Storage)		
	Power	AC110V±10%, 50/60Hz; AC 220V±10%,50/60Hz; 16W		