

- DVB-S/S2, DVB-T/T2, DVB-C, ATSC, DTMB, ISDB-T
- MPEG-2, H.264/MPEG-4 SD/HD
- Built-in re-multiplexer
- 9 ASI outputs
- IPTV Gateway
- IP outputs: up to 128 TV channels; unicast/multicast
- 8 DVB-CI slots
- BISS Descrambler

ADV-6800 8-Channel DTV Receiver/Processor



Main Features

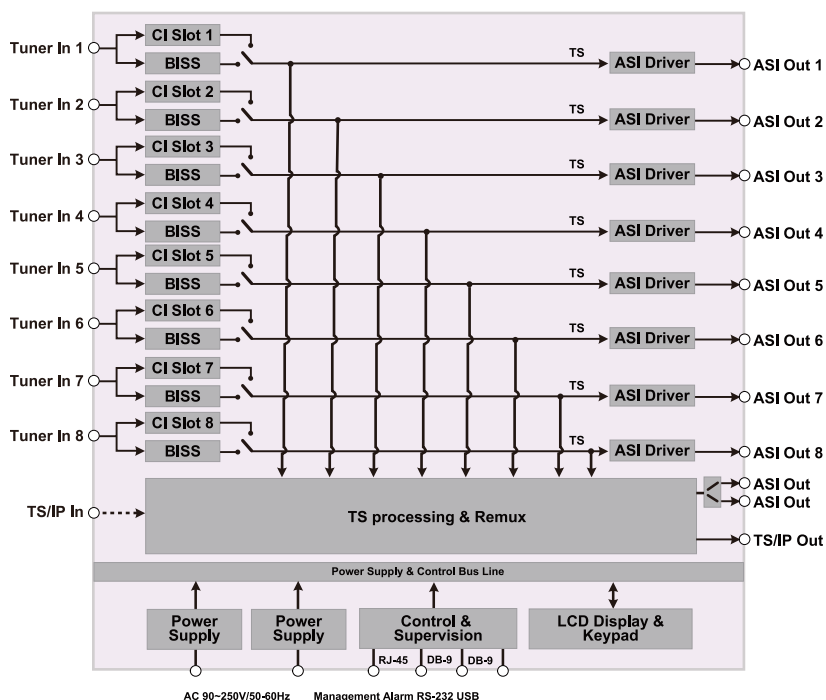
- 8xTuners Input, Supports variety of input options DVB-T2/T/S2/S/C/DTMB/ATSC/ISDB-T
- Supports DVB-S2 Input Stream Identifier (ISI, optional) and DVB-T2 Multi PLP and SFN MIP pass through
- Built-in TS re-multiplexer receives from CI Slot1 to CI Slot8 and TS/IP inputs
- 8xDVB-CI Slots, multi-program decryption, BISS-1 and BISS-E decryption
- 8xASI outputs, the transport streams from CI Slot1 to CI Slot8 or BISS decryption
- 1xASI output from multiplexer
- 1xchannel full duplex TS over IP or 128xchannels IP out, unicast or multicast
- Remote Control and Supervision by SNMP v2, HTTP WEB and Proprietary HDMS software
- On Site software update through IP or USB
- RSSI, received signal strength, Eb/N0, C/N and BER monitoring
- Redundancy power supply

ADV-6800 is a high-density, modular and CI decryption professional TS processor equipped with 8 independent tuners, which can be either of DVB-T/T2, DVB-S2/S, DVB-C, DTMB, ISDB-T and ATSC types. It supports a wide range of application by combining 8 tuners processing capability with industry standard outputs including ASI and TS/IP. ADV-6800 has 8 DVB common interface slots capable of working with most of well-known CAS in the market to de-encrypt multiple pay TV services. ADV-6800 provides operators an ideal solution for multi receiving, re-multiplexing, descrambling and TS over IP operations, the compact 8 tuners and the powerful 8 CI decryption design make ADV-6800 one of the most competitive product in the head-end market.

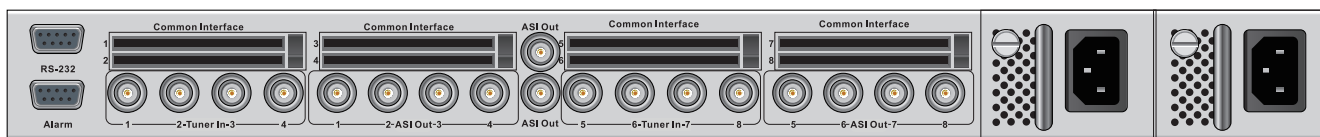
ORDERING INFO

- ADV-6800S - Receiver with 8 DVB-S/S2 tuners
- ADV-6800T - Receiver with 8 DVB-T/T2 tuners
- ADV-6800C - Receiver with 8 DVB-C tuners
- ADV-6800A - Receiver with 8 ATSC tuners
- ADV-6800M - Receiver with 8 DTMB tuners
- ADV-6800I - Receiver with 8 ISDB-T tuners

Functional Block Diagram



Back Panel Interface



Specification

Tuner Input		Constellation	8VSB
DVB-S/S2 Tuner Input (ISI Factory Optional)		Roll-off Factor	0.115
Connector Type	8×F type female 75Ω for Input	Bandwidth	6MHz
Input Frequency Range	950 ~ 2150MHz	TS Processing	
Input Level	-25 ~ -65dBm	TS Input Management	Demux and Remux among TS/IP and CI Inputs
Symbol Rate	2 ~ 45MBaud	TS Output Management	Demux and Remux for ASI output
Roll-off Factor	DVB-S QPSK: 0.35	Service and PID Management	Service and PID level for Remux, filtering and remapping
	DVB-S2 8PSK: 0.35, 0.25, 0.2	PSI/SI	PSI/SI table regeneration, NIT and SDT edition, LCN Edition and Re-generation
FEC Code Rate	DVB-S QPSK: 1/2, 2/3, 3/4, 5/6, 7/8	Descrambler	DVB Common Scrambling Algorithm (CSA)
	DVB-S2 QPSK: 1/2, 3/5, 2/3, 3/4, 4/5, 5/6, 8/9,9/10	BISS Mode	BISS-1, BISS-E
	DVB-S2 8PSK: 3/5, 2/3, 3/4, 5/6, 8/9, 9/10	Common Interface	8 x PCMCIA slots, compatible with major CA CAMs in the market
LNB Polarity Selection	0, 13V, 18V selectable	ASI Output	
Voltage	0, 13V, 18V selectable	Connector Type	9 independent BNC female, 75Ω, Standard
LNB Band Selection Tone	0/22KHz selectable	Output Bit Rate	≤ 200Mb/s
Satellite Selection Command	DiSEqC 1.0	TS Processing	8xASI out pass through the TS from CI 1 to CI8, 1xASI Out from Remux,
ISI ID	1 ~ 255 user configurable	-	-
DVB-C Tuner Input		-	-
Connector Type	8×F type female 75Ω for Input	-	-
Input Frequency Range	51 ~ 862MHz	-	-
Input Level	51 ~ 75dBμV	-	-
Symbol Rate	1 ~ 7MBaud (ITU J.83 Annex A)	-	-
Constellation	16QAM, 32QAM, 64QAM, 128QAM, 256QAM	TS over IP	
Bandwidth	6MHz, 7MHz, 8MHz	Connector Type	1×RJ-45, 100/1000 Base-T
Input Return Loss	7dB (typ.)	Effective Bit Rate	400Mb/s for 128 channel IP out without IP in 80Mb/s for full duplex 1 channel
DVB-T/T2 Tuner Input		Protocol	UDP / RTP, Multicast / Unicast, IGMPv3, ARP
Connector Type	8×F type female 75Ω for Input	Alarm	
Input Frequency	104 ~ 862MHz (VHF/UHF)	Connector Type	1×D-sub 9 male
Input Level	-20 ~ -70dBm	Switching Condition	User Defined
Constellation	DVB-T: QPSK, 16QAM, 64QAM	Control & Monitoring	
	DVB-T2: QPSK, 16QAM, 64QAM, 256QAM	Connector Type	1×RJ-45, 10/100 Base-T, for equipment IP Control
Bandwidth	6MHz, 7MHz, 8MHz	Remote Control	SNMP, HTTP (Web Interface), Proprietary HDMS (Headend Device Management System)
FFT Mode	DVB-T: 2K, 8K	Local Control	LCD display and 6-key keypad
	DVB-T2: 1K, 2K, 4K, 8K, 16K, 32K	Serial Port	1×RS-232 D-sub female, for debug use only
Guarding Interval	DVB-T: 1/4, 1/8, 1/16, 1/32	Equipment Upgrade	Embedded FTP loader, Telnet and http
	DVB-T2: 1/4, 5/32, 1/8, 5/64, 1/16, 1/32, 1/64, 1/128	Physical	
FEC Code Rate	DVB-T: 1/2, 2/3, 3/4, 5/6, 7/8	Dimension	44mm x 255mm x 430mm
	DVB-T2: 1/2, 3/5, 2/3, 3/4, 4/5, 5/6	Weight	3.5kg
Input Return Loss	7dB (typ.)	Power Supply	AC 90V ~ 250V, 50/60Hz
DTMB Tuner Input		Power Consumption	30W (exclusive of LNB power)
Connector Type	8×F type female 75Ω for Input	Operating temperature	0~45°C
Input Frequency Range	46.5~866MHz	Storage temperature	-10~60°C
Input Level	-87~-29dBm	Operating Humidity	10~90%, non-condensed
Symbol Rate	7.56MBaud	Certification	
Bandwidth	6MHz/7MHz/8MHz	EMC: EN 55024:1998+A1:2001+A2:2003, EN 55022:2006+A1:2007, EN 61000-3-2:2006, EN 61000-3-3:2008	
Constellation	4QAM-NR, 4QAM, 16QAM, 32QAM, 64QAM	FCC: Part 15 Class B	
Guard Interval	PN420, PN595, PN945	LVD: EN 60950-1:2006 + A11:2009	
Roll-off Factor	0.05		
Interleaving Depth	240,720		
FEC Code Rate	0.4, 0.6, 0.8		
ATSC Tuner Input			
Connector Type	8×F type female 75Ω for Input		
Input Frequency Range	54~864MHz		
Input Level	-75~-7dBm(ATSC 8VSB)		
Symbol Rate	10.762MBaud		