

4 ASI Inputs, 8 ASI outputs
Up to 160 IP input streams
Up to 16 multiplexed IP output streams



ADV-3480MX is an advanced DVB transport stream multiplexer/re-multiplexer.

It can receive up to 160 MPTS/SPTS through the GbE port and/or 4x ASI streams through the four ASI input ports. ADV-3480MX can output 8x ASI multiplexed streams through 8 ASI output ports.

It can output up to 16 multiplexed IP streams via GbE output ports.

ADV-3480MX supports PSI/SI regeneration or pass through.

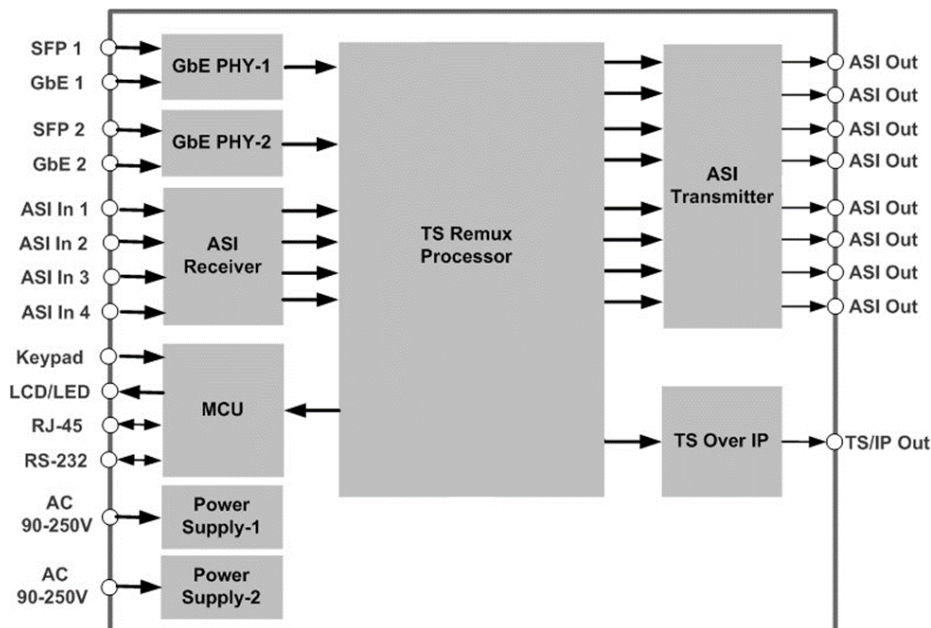
It can support up to maximum 256 PIDs or 50 TV services per each TS with re-mapping, bypass, and filtering functionality.

With its multiple input and output ports, flexible configuration and powerful TS processing functionality, the ADV-3480MX is a must have missing piece of the puzzle that connects the TV sources from professional IRDs and encoders to the DVB modulators.

Features

- Supports MPEG2 and MPEG-4 (H.264) TS Re-Multiplexing
- 4 ASI inputs, 8 ASI outputs
- 2 GbE + 2 SFP ports: up to 160 IP input MPTS/SPTS streams; up to 16 multiplexed IP output MPTS streams.
- Unicast/Multicast IP input/output
- EIT bypass or re-generation
- PSI/SI re-generation, insertion, NIT and SDT edition
- PCR re-generation and correction function
- TS/IP through GbE port up to 950Mbps input/output
- Null packet insertion for TS/IP transmission
- Web remote management and SNMP supervision

Functional Block Diagram



Back Panel Interface



Specifications

TS over IP	
Connector type	2x 1000M Ethernet RJ-45 electrical
Transmission mode	IPv4, ARP, UDP, RTP
Operating Mode	Full duplex, Auto negotiable
Streaming Type	Multicast or Unicast
Number of input streams	160
Number of output multiplexed streams	16
Type of TS Streaming	SPTS or MPTS
TTL	1 ~ 255 (adjustable)
De-jitter	≤ 200ms
Effective Input+Output Bit Rate	950Mb/s
ASI Input Ports	
Connector type	4×BNC female, 75Ω
Standard	DVB-ASI, EN50083-9
Input Return Loss	15dB
Minimum Input Level	200mV
Packet Length	Burst or Byte, 188 or 204 Byte/Packet
Input bit rate per port	≤216Mb/s
TS Re-Multiplexing	
TS Input Management	Remultiplexing up to 4 DVB-ASI inputs and 160 MPTS/SPTS inputs
Service and PID management	Service or component based Remultiplexing, filtering and PID remapping
PSI/SI	PSI/SI table regeneration, NIT and SDT edition, LCN Edition and Re-generation
PCR	PCR regeneration
Null packet	Filtering or inserting
ASI Output Ports	
Connector type	8×BNC female, 75Ω
Standard	DVB-ASI, EN50083-9
Packet Length	Burst or Byte, 188 or 204 Byte/Packet
Output bit rate per port	≤216Mb/s
Control & Monitoring	
Connector Type	1×RJ-45, 10/100 Base-T (for remote control)
Remote Control	SNMP, HTTP Web, Command Line
Protocol	HTTP 1.1 , SNMPv1&v2
Local Control	LCD and 6-key on front panel
Serial Port	1×RS-232 D-sub 9-pin(for debug use only)
Alarm and Contact Relay	
Connector Type	1×D-sub 9-pin
Alarm & Warning Indicator	Dual colors LED on Front panel, Contact Relay on Rear panel
Trap	SNMP v1 & v2
Event Log	last 100 events logged in non-volatile memory
Power	
Power Supply	AC 90V~250V, 50/60Hz
Power Consumption	50W
Physicals	
Dimension	445mm×543mm×44mm
Weight	8 Kg
Temperature	Operating 0 ~ 45°C; Storage -10 ~ 60°C
Operating Humidity	10 ~ 90%, non-condensed