

ADV-3000AV

6-Channel Satellite HD/SD Digital TV Receiver/Decoder

ADV-3000AV is a highly integrated 6-Channel Satellite HD Digital TV Receiver that provides various options for up to 6 DVB-S2/S signals reception. Each on board decoder can work independently and process a variety of digital video and audio formats in MPEG-4 AVC/H.264 and MPEG-2, in Standard Definition or in High Definition. The TV channel is decoded into both digital and analog, and output via HDMI and CVBS respectively. Stable easy-to-use user interface via On Screen Display (OSD) and first-class picture quality make ADV-3000AV a very cost effective solution for digital TV signal reception system.



Main Features

- 6 DVB-S/S2 tuners frontend
- Fully comply with MPEG-4 AVC/H.264, MPEG2 standards
- VBI Teletext (DVB ETS 300 706) and EBU/ DVB Subtitle supported
- Up to 6 common interface for descrambling
- CVBS and HDMI output
- BISS 1 and BISS E decryption supported
- NTSC/PAL/AUTO TV standard conversion
- Decoded programs monitoring using On Screen Display (OSD)
- Settings control via front panel using easy-to-use OSD menu
- Automatic parameters storage and recovery
- Software upgrade via USB

Up to 6 channels Receiving and Decoding



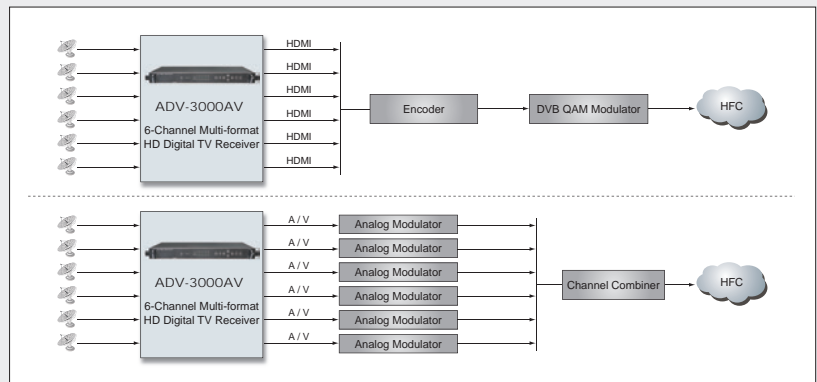
HDMI and Composite Output



Easily Management via Front Panel



CATV System Solutions



Specifications

Tuner Input	
DVB-S/S2 Tuner	6 × F type female 75Ω for Input 6 × F type female 75Ω for loop through
Input Frequency Range	950~2150MHz
Input Level	-65~-25dBm
Symbol Rate	DVB-S QPSK: 1~45MBauds/s DVB-S2 QPSK: 1~45MBauds/s
Roll-off Factor	DVB-S: 0.35 DVB-S2: 0.35, 0.25, 0.2
FEC Code Rate	DVB-S QPSK: 1/2, 2/3, 3/4, 5/6, 6/7, 7/8 DVB-S2 QPSK: 1/2, 3/5, 2/3, 3/4, 4/5, 5/6, 8/9, 9/10 DVB-S2 8PSK: 3/5, 2/3, 3/4, 5/6, 8/9, 9/10
LNB Polarity Selection	0, 13V, 18V selectable
Satellite Selection Command	DiSEqC 1.0

Digital Video/Audio Decoding	
Video Standard	MPEG-2 MP@HL H.264/AVC MP@L4.1, HP@L4.1, MP@HL, AP@L3
Video PID Bit Rate	Max. 60Mbit/s
Aspect Ratio	4:3, 16:9, Automatic
Video Resolution	480i, 576i, 1080i, 480p, 720p, 1080p
Video Format	NTSC/PAL/AUTO
Audio Standard	MPEG-1 layer I/II, MP3, MPEG-2 layer II, Dolby Digital, HE-AAC
Sampling Rate	32, 44.1, 48KHz

AV Monitor - Composite Video, L/R Audio	
Video Connector Type	RCA*1
Output Impedance	75Ω
Audio Connector Type	RCA*1
Output Impedance	100Ω
Common Interface	
Type	6* PCMCIA
Composite Video Output per channel	
Connector Type	RCA*1
Output Impedance	75Ω
Output Level	1.0V±30mVp-p
Frequency Response	±0.5dB (4.8MHz)
Differential Gain	≤5%
Differential Phase	≤5°
Chroma-Luma Delay	≤30ns
HDMI Output per channel	
Connector Type	HDMI 1.1 *1
Audio Output per channel	
Output mode	RCA*2
Audio Standard	Mono, Stereo
Output Impedance	100Ω
Output Level	±6dB
Frequency Response	±0.5dB (20Hz~18Hz)
Signal to Noise Ratio (SNR)	≥70dB
USB Interface per channel	
Connector Type	USB Type A
Usage	Firmware upgrade
General	
Temperature	Work Temperature: 0~40°C Storage Temperature: -25~55 °C
Humidity	10%~90%
Power Supply	AC 90~256V 50Hz/60Hz, 25W
Net Weight	3.7Kg
Dimensions	483mmx237mmx45mm

Back panel Interface



Ordering Information

ADV-3000AV - 6-Channel HD/SD Digital TV Receiver/Decoder with DVB-S/S2 tuners