

ADV-2000EC

Single Channel Professional MPEG-2 SD Encoder with built-in multiplexer

SDI, CVBS, S-video, ASI inputs
IP and ASI output



The ADV-2000EC is a real-time single program 4:2:0 MPEG-2 encoder. It supports analog and digital audio/video inputs such as: CVBS, S-Video and SDI.

The ADV-2000EC has an ASI input port and a built-in multiplexer which can re-multiplex the encoded SPTS with an external MPTS and generate a new MPTS which can then be sent to either ASI or IP output.

Control of the ADV-2000EC is done through either a web interface, front panel, or by using SNMP.

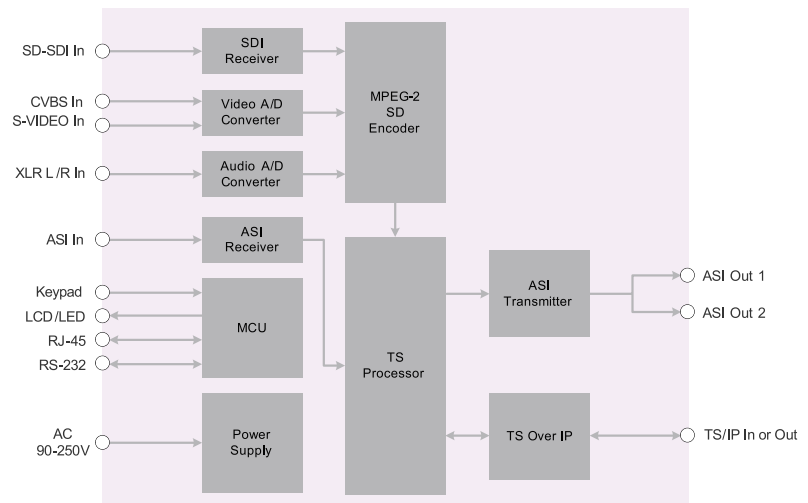
Main Features

- Compliant with 4:2:0 MPEG-2 MP@ML video compression standard
- Multiple video inputs S-Video, SDI, ASI and CVBS
- Multiple audio inputs: Stereo, Balanced audio, and SDI embedded audio input
- Supports PAL, NTSC, and SECAM analog TV standards
- User-configurable 4:3/16:9 aspect ratio
- Video compression bitrate range is 1.5Mbps to 20Mbps
- Configurable GOP
- Built-in Re-multiplexer
- Support PAT, PMT and SDT generation and NIT insertion
- Support of up to 6 MPTS or SPTS output
- SNMP based remote control system
- LCD display and user friendly operation menu

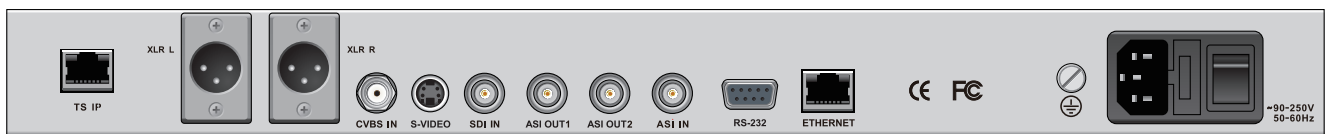
Multiple video inputs S-Video, SDI, ASI and CVBS



ADV-2000EC functional block diagram



Back panel Interface



Specifications

Video Compression

Analog Input	Analog NTSC, PAL and SECAM
Digital Input	SD-SDI (SMPTE-259M)
Compression Standard	MPEG-2 MP@ML
Video Resolution	480i (720x480) @29.97Hz: SMPTE125M 576i (720x576) @25Hz: ITU-R BT.656-4
Aspect Ratio	4:3/16:9 selectable
Video Compression bit rate	1.5~20Mb/s

Audio Compression

Audio Channels	1 pair of stereo
Compression Standard	MPEG-1 Layer II
Audio Mode	Stereo, Joint Stereo, Dual Mono, Mono
Audio Sampling Rate	32, 44.1, 48 KHz
Audio Compression bit rate	32, 64, 128, 192, 256, 384 Kb/s

Audio/Video Input Interface

Analog Audio	Balanced Audio XLR L / R
Analog CVBS	1xBNC female, 75Ω
S-Video	1xS-Video female, 75Ω
SD-SDI	1xBNC female, 75Ω
SDI embedded audio	Group 1 to 4 selectable

ASI Input

Connector Type	1xBNC Female, 75Ω
Input bit rate	≤ 100Mb/s
Packet Mode	Byte or Burst
Packet Length	188/204 Bytes

TS Processing

TS Input Management	Remux and demux between ASI input and the SPTS encoded
Service and PID management	Remux, filtering and remapping
PSI/SI	PSI/SI table generation, NIT and SDT edition

TS over IP Output

Connector Type	1xRJ-45, 10/100 Base-T for TS/IP
Useful bit rate	70Mb/s min
Protocol	UDP / RTP, Multicast / Unicast, IGMPv2, ARP
Source	Built-in Re-mux, ASI input, Encoder

ASI Output Interface

Connector Type	2xBNC Female, 75Ω
Output bit rate	≤ 99Mb/s
Packet Length	188 / 204 Bytes
Signal Level	800mVpp±10%
Source	Built-in Re-mux, ASI input and Encoder

Control & Monitoring

Connector Type	1xRJ-45, 10/100 Base-T, for equipment IP Control
Remote Control	SNMP, HTTP Web, Proprietary HDMS Software
Local Control	Front Panel
Software Upgrade	Built-in FTP server + Telnet

Physical

Dimension	44mmx483mmx240mm
Net weight	2.8Kg
Power Supply	AC 90V~250V, 50/60Hz
Power Consumption	Maximum 20W
Operating Temperature	0 ~ +45 °C
Storage Temperature	-10 ~ +60 °C
Operating Humidity	10~90%, non-condensed

Certification

EMC: EN 55024:1998+A1:2001+A2:2003, EN 55022:2006+A1:2007, EN 61000-3-2:2006, EN 61000-3-3:2008
FCC: Part 15 Class B
LVD: EN 60950-1:2006 + A11:2009

ORDERING INFORMATION

ADV-2000EC - Single channel MPEG-2 SD Encoder